



## DESIGNER

Lievore Altherr Molina

## DESCRIPTION

Inspired from tree branches, the Branch collection looks fluid and organic. Behind the airy, casual appearance lies a sophisticated design and well thought-out materials. The aluminium cast frame is combined with a seat and backrest in polypropylene, reinforced with glassfiber. Both materials are easy to maintain, recycable and optimally weather-resistant.

## MATERIALS

- Frame: aluminium, double coated (primer and polyester powder)
- Seat & back: polypropylene reinforced with glassfiber, UV-resistant
- Table tops tables: aluminium, Indonesian plantation teak or granite
- Table tops low tables: Indonesian plantation teak, lightened concrete or granite
- Seat beach chair & lounger: Batyline® available in white, silkgrey and wengé.  
For the beach chair a selection of fabrics (cfr page 5)

### COLOURS FRAME-X



00-White 10-Linen 89-Wengé

### COLOURS DINING TABLE TOP-Y

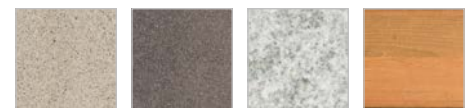


00-White 10-Linen 89-Wengé T-Teak



G-Granite  
(not for 210cm and 300cm)

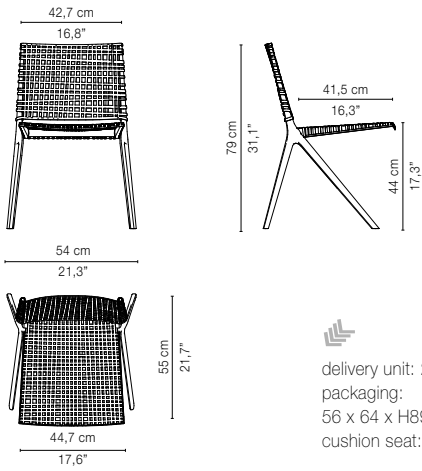
### COLOURS LOW TABLE TOP-Y




10-Concrete Linen 89-Concrete Wengé G-Granite T-Teak

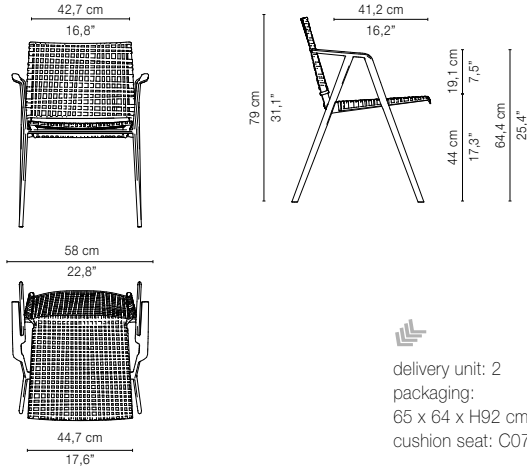
## TECHNICAL DRAWINGS


### 07610 - Side chair



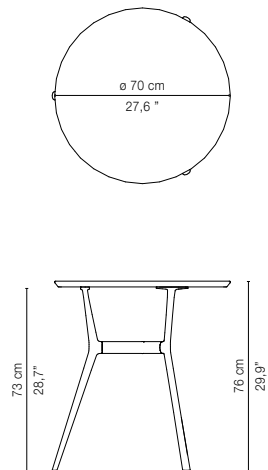

 delivery unit: 2  
 packaging:  
 56 x 64 x H89 cm – 0,32 m<sup>3</sup> - 14 kg  
 cushion seat: C076105


### 07618 - Armchair



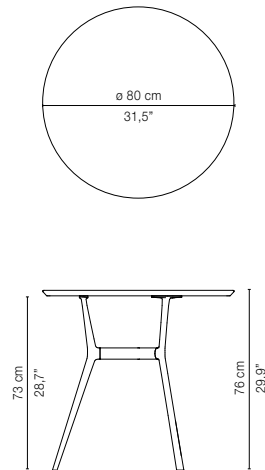

 delivery unit: 2  
 packaging:  
 65 x 64 x H92 cm – 0,38 m<sup>3</sup> - 17,2 kg  
 cushion seat: C076105


### 07661-x-y Bistro table round dia 70cm



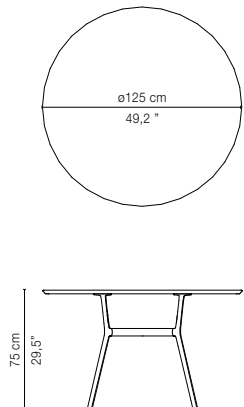

 delivery unit: 1  
 packaging A (alu top):  
 79 x 79 x H13 cm – 0,09 m<sup>3</sup> - 12,5 kg  
 packaging A (teak top):  
 75 x 75 x H8 cm – 0,05 m<sup>3</sup> - 7 kg  
 packaging A (granite top):  
 77 x 77 x H6 cm – 0,04 m<sup>3</sup> - 21,5 kg  
 packaging B (legs):  
 78 x 52 x H24 cm – 0,10 m<sup>3</sup> - 6,2 kg  
 packaging C (cross for teak/granite top):  
 17 x 19 x H6 cm – 0,01 m<sup>3</sup> - 0,3 kg


### 07660-x-y - Bistro table round dia 80cm




 delivery unit: 1  
 packaging A (alu top):  
 90 x 88 x H14 cm – 0,11 m<sup>3</sup> - 15,3 kg  
 packaging A (teak top):  
 85 x 85 x H8 cm – 0,06 m<sup>3</sup> - 8 kg  
 packaging A (granite top):  
 88 x 86 x H7 cm – 0,05 m<sup>3</sup> - 28 kg  
 packaging B (legs):  
 78 x 52 x H24 cm – 0,10 m<sup>3</sup> - 6,2 kg  
 packaging C (cross for teak/granite top):  
 30 x 27 x H8 cm – 0,01 m<sup>3</sup> - 0,6 kg

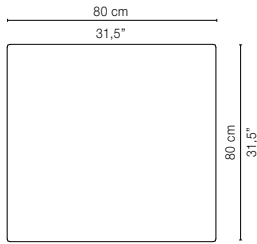
### 07662-x-y Bistro table round dia 125cm




 delivery unit: 1  
 packaging A (alu top):  
 130 x 130 x H15 cm – 0,25 m<sup>3</sup> - tbc kg  
 packaging A (teak top):  
 130 x 130 x H7 cm – 0,12 m<sup>3</sup> - 25 kg  
 packaging A (granite top):  
 134 x 134 x H7 cm – 0,13 m<sup>3</sup> - 82 kg  
 packaging B (legs+cross):  
 98 x 98 x H17 cm – 0,16 m<sup>3</sup> - 13 kg

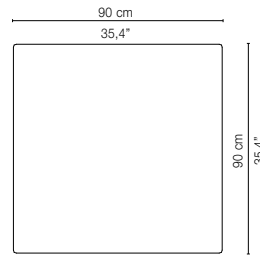
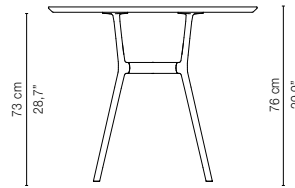
## TECHNICAL DRAWINGS

### 07671-x-y Bistro table square 80x80cm



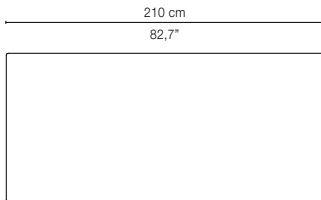
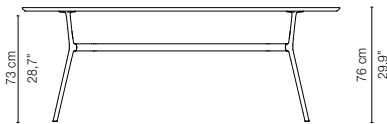
delivery unit: 1  
 packaging A (alu top):  
 88 x 88 x H15 cm – 0,12 m<sup>3</sup> - 17,9 kg  
 packaging A (teak top):  
 85 x 85 x H8 cm – 0,06 m<sup>3</sup> - 9 kg  
 packaging A (granite top):  
 87 x 87 x H7 cm – 0,05 m<sup>3</sup> - 34 kg  
 packaging B (legs):  
 78 x 52 x H24 cm – 0,10 m<sup>3</sup> - 7,6 kg  
 packaging C (cross for teak/granite top):  
 17 x 19 x H6 cm – 0,002 m<sup>3</sup> - 0,3 kg

### 07670-x-y Bistro table square 90x90cm



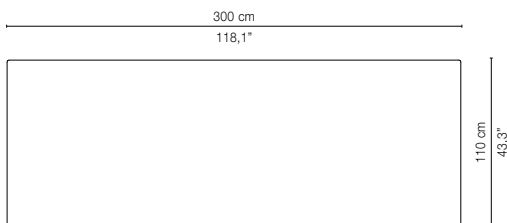
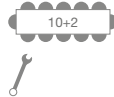
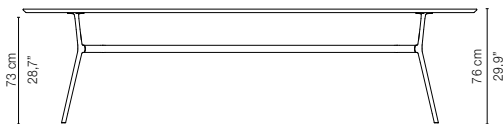
delivery unit: 1  
 packaging A (alu top):  
 98 x 100 x H14 cm – 0,14 m<sup>3</sup> - 21,9 kg  
 packaging A (teak top):  
 95 x 95 x H8 cm – 0,07 m<sup>3</sup> - 12 kg  
 packaging A (granite top):  
 98 x 98 x H6 cm – 0,06 m<sup>3</sup> - 45 kg  
 packaging B (legs):  
 78 x 52 x H24 cm – 0,10 m<sup>3</sup> - 7,6 kg  
 packaging C (cross for teak/granite top):  
 25 x 25 x H8 cm – 0,005 m<sup>3</sup> - 0,6 kg

### 07652-x-y Dining table 210x98cm



delivery unit : 1  
 packaging A (alu top):  
 219 x 107 x H15 cm – 0,35 m<sup>3</sup> - 49,2 kg  
 packaging A (teak top):  
 215 x 105 x H10 cm – 0,23 m<sup>3</sup> - 43,5 kg  
 packaging B (legs):  
 78 x 52 x H24 cm – 0,10 m<sup>3</sup> - 7,6 kg  
 packaging C (cross for teak top):  
 142 x 31 x H7 cm – 0,03 m<sup>3</sup> - 2,25 kg

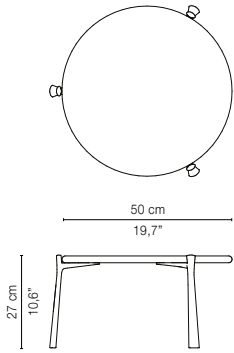
### 07654-x-y Dining table 300x110cm



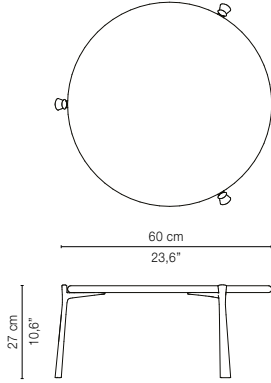
delivery unit: 1  
 packaging A (alu top):  
 313 x 124 x H19 cm – 0,74 m<sup>3</sup> - 111,6 kg  
 packaging A (teak top):  
 305 x 115 x H10 cm – 0,35 m<sup>3</sup> - 74 kg  
 packaging B (legs):  
 78 x 52 x H24 cm – 0,10 m<sup>3</sup> - 7,6 kg  
 packaging C (cross for teak top):  
 221 x 32,5 x H7 cm – 0,05 m<sup>3</sup> - 7 kg

## TECHNICAL DRAWINGS - logistic info available upon request

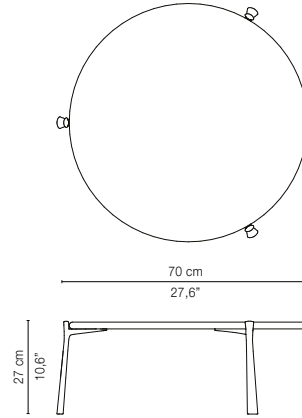
07680-x-y - Low table  
H 27cm



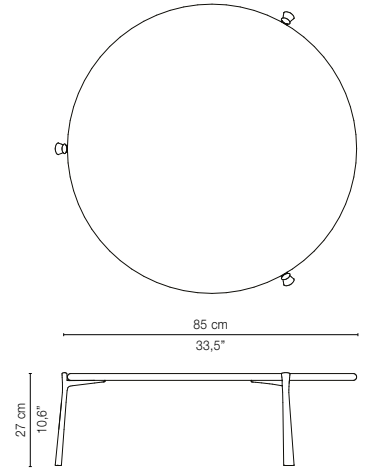
07682-x-y - Low table  
H 27cm



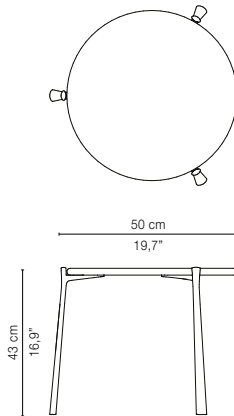
07684-x-y - Low table  
H 27cm



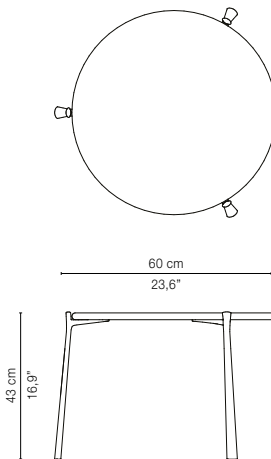
07686-x-y - Low table  
H 27cm



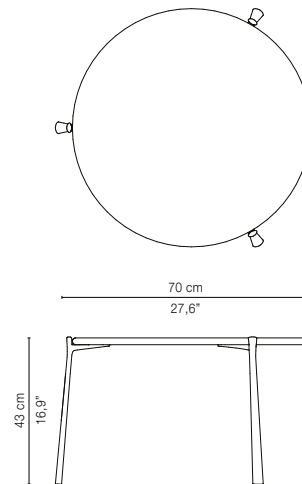
07681-x-y - Low table  
H 43 cm



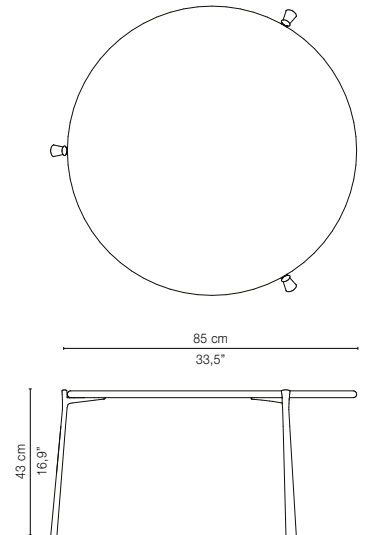
07683-x-y - Low table  
H 43 cm



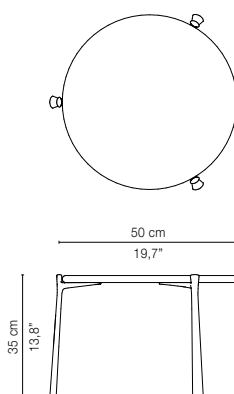
07685-x-y - Low table  
H 43 cm



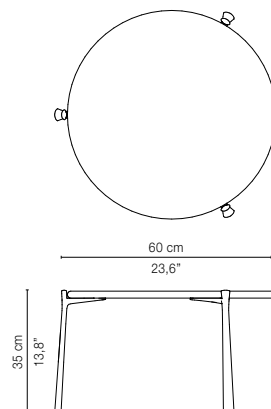
07687-x-y - Low table  
H 43 cm



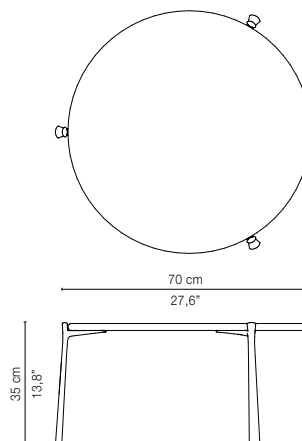
07690-x-y - Low table  
H 35 cm



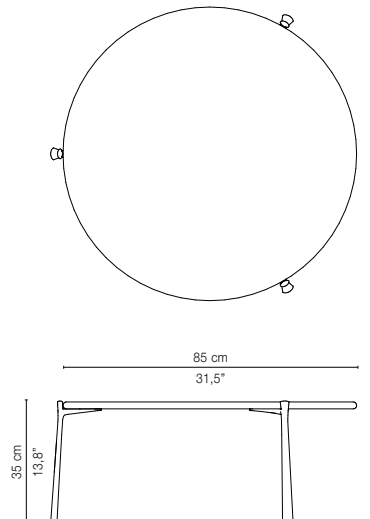
07691-x-y - Low table  
H 35 cm



07692-x-y - Low table  
H 35 cm

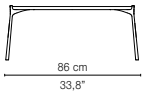
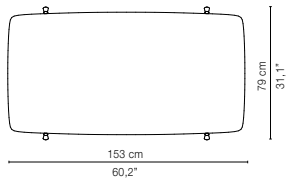


07693-x-y - Low table  
H 35 cm



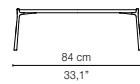
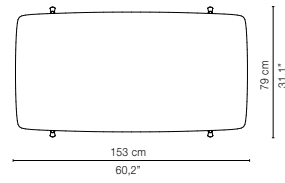
## TECHNICAL DRAWINGS

07688-x-y Low table 153x79cm H27cm



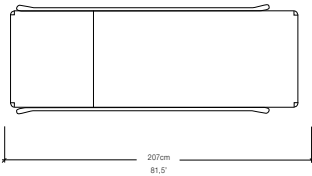
delivery unit: 1  
 packaging A (concrete top):  
 169 x 94 x H15 cm – 0,25 m<sup>3</sup> - 63 kg  
 packaging A (teak top):  
 157 x 82 x H5 cm – 0,06 m<sup>3</sup> - 17,5 kg  
 packaging A (granite top):  
 161 x 88 x H8 cm – 0,11 m<sup>3</sup> - 75 kg  
 packaging B (legs):  
 31 x 35 x H19 cm – 0,02 m<sup>3</sup> - 2 kg

07689-x-y Low table 153x79cm H35cm



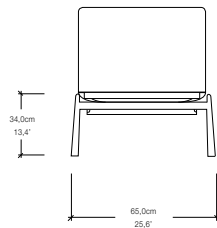
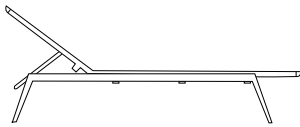
delivery unit: 1  
 packaging A (concrete top):  
 169 x 94 x H15 cm – 0,25 m<sup>3</sup> - 63 kg  
 packaging A (teak top):  
 157 x 82 x H5 cm – 0,06 m<sup>3</sup> - 17,5 kg  
 packaging A (granite top):  
 161 x 88 x H8 cm – 0,11 m<sup>3</sup> - 75 kg  
 packaging B (legs):  
 50 x 24 x H19 cm – 0,02 m<sup>3</sup> - 2,5 kg

07612-xx-xx Adjustable lounger Batyline

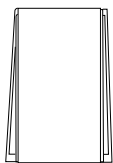


14 pieces

delivery unit: tbc  
 packaging: tbc  
 cushion: C07640  
 Adjustable into 6 positions

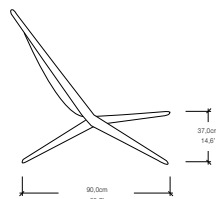
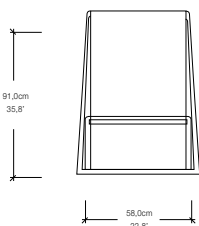


07642-xx-xx Beach chair Batyline



delivery unit: tbc  
 packaging: tbc  
 headrest: tbc

Available fabrics for beach chair:  
 Neptune taupe (A72), Neptune wengé (A89),  
 Ashe (15), Leaf (42), Revive Jaspe (B53),  
 Revive Clay (B50), Revive Havana (B51),  
 Revive Graphite (B52), Luxury Papyrus (B04),  
 Luxury Cord (B16), Nubby Ebony (B17),  
 Nubby Mink (B18), Nubby Blue (B19),  
 Luxury Pumpkin (B22), Luxury Spice (B84),  
 Luxury Brown (B98)





## CUSHIONS

The seat cushion of the chair has ribbons and push buttons to keep the cushion in place. The references of cushions of each available item are listed on the previous pages. Fabrics category D, E & F.



**Filling in dryfoam:** The cushions have an open cell structure, so air can circulate freely. Water passes through the filling, but dries quickly thanks to the large open pores, substantially inhibiting fungal growth.

## PROTECTION COVERS

Covers in waterproof, PU-breathable material are available for each item. Colour grey.

## MAINTENANCE

**Frame:** Clean the aluminium frame with tap water and a PH neutral soap. For stubborn stains, use Aluminium Cleaner. We advise to use Metal Protector twice a year which applies an invisible film and protects the aluminium against the adhesion of dirt.

**Seat / back:** Rinse regularly with tap water. Clean the seat with Synthetic cleaner and the enclosed white sponge or a Tribù micro fiber cloth. Sharp objects should be avoided. For stubborn stains, use Synthetic Super Cleaner which can also be used to clean the aluminium frame, for extra protection we advise to use Synthetics Protector.

### FRAME:



**D9952**  
Aluminium  
Cleaner



**D9930**  
Metal Protector Teflon®  
(spray that lays an invisible  
dirt-repellent film)

### SEAT / BACK:



**D9920**  
Synthetics  
Cleaner



**D9922**  
Synthetics  
Super Cleaner



**D9921**  
Synthetics  
Protector

